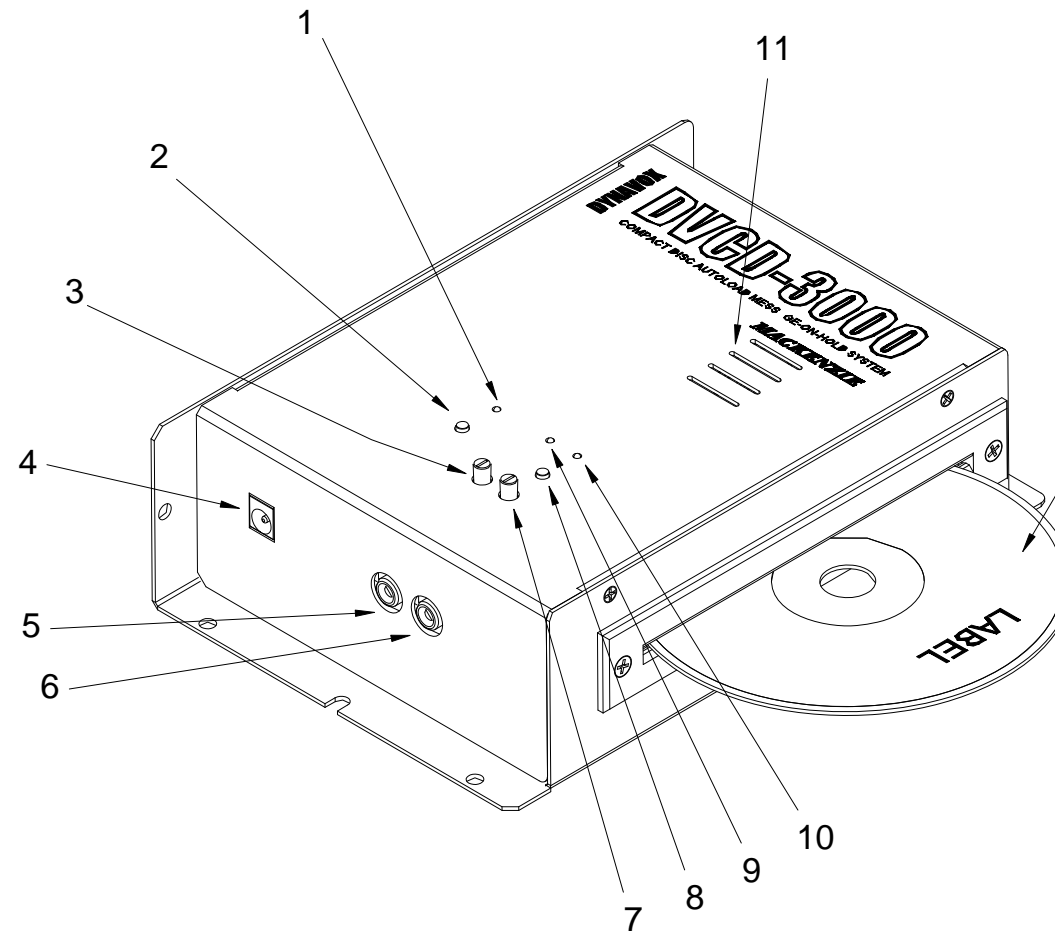


**Model DVCD-3000  
COMPACT DISC AUTOLOAD  
MESSAGE-ON-HOLD SYSTEM**

**COPYRIGHT POLICY**

Recording, downloading or playing of copyrighted material such as sound effects, narration or music is unlawful unless permitted by a legal exception or consented to by the rights owner. Recording and download equipment should only be used with material that you have the legal right to copy and you are responsible for obtaining these rights, Mackenzie Laboratories, Inc. has no right to grant such permission.

- 1 EJECT LED:**  
Yellow light ON indicates there is no CD inserted.  
Yellow light OFF indicates the CD is in place.
- 2 EJECT / RECORD STOP PUSH-BUTTON:**  
This ejects the CD when the system is playing downloaded messages. If pressed during the recording process the recording will be stopped.
- 3 TONE ADJUST KNOB:**  
Adjusts the Bass & Treble amount to deliver the best overall system performance.
- 4 POWER JACK:**  
Insert supplied power adapter.
- 5 LINE OUTPUT:**  
Audio output level of up to +3dB into 600  $\Omega$ , this is a standard level for most applications.



**NOTE:**

Insert Pre-Recorded CD as shown ( CD label facing up), system will then start loading ( Red LED is on ) at the end of downloading the message (s), the Red LED will turn off, system will automatically start playing the enabled message (s) from digital audio memory.

- 6 SPEAKER OUTPUT:**  
Audio output level of up to 2.5W into 8 Ohm. Use this output if more drive is needed to reach a more comfortable listening level.
- 7 AUDIO OUTPUT LEVEL KNOB:**  
Adjusts the volume to both the line level and speaker audio outputs.
- 8 SPEAKER PUSHBUTTON:**  
Turns local Monitor speaker ON/OFF.
- 9 RECORD LED:**  
Used to display recording mode. Red light ON, indicates message (s) is being loaded into memory from CD or from Handset.
- 10 PLAYING LED (GREEN):**  
This green LED is ON when the system is playing Pre-Recorded messages.
- 11 MONITOR SPEAKER:**  
Allows user to preview message play back.

**THE MACKENZIE DYNAVOX  
DVCD-3000 Quikey**

09 SEP 2008, Version 1.1  
Mackenzie Laboratories, Inc.  
1163 Nicole CT, Glendora, CA 91740 USA  
TEL (909) 394-9007 FAX (909)394-9411  
[www.macklabs.com](http://www.macklabs.com)