

M A C K E N Z I E

DVNET-3000

Network download Message-On-Hold System

A proud member of the Dynavox family

Key Features:

- Removable SD card, non-volatile memory that supports card storage up to 2GB
- Connect to unit over standard Ethernet interface
- Supports standard MP3 files
- Adjustable, dual audio output (8 Ohm / 600 Ohm)
- Adjustable tone control
- 15kHz audio bandwidth
- Message downloads are achieved using CMAC Software interface.
- Audio message lengths completely dynamic
- Integrated monitor speaker
- Industrial grade all metal construction
- 3-Position flexible mounting scheme
- Backed by 3 year warranty



The DVNET solution, for Message On Hold applications, combines PC based software and on premise hardware to deliver material to one or more remote locations via the internet. The system connects to the network using a standard Ethernet interface.

Contact Management:

The DVNET-3000 uses Customer Maintenance and Communication software (CMAC) to manage groups, schedules, and downloads with ease.

CMAC features:

- Windows 98, XP, and Vista compatibility
- Maintain database of contacts and groups
- Flexible download settings to accommodate net or telephone/fax line* applications
- Ability to generate reports

Ease of use:

Connect the DVNET-3000 to any Ethernet network with an Internet connection and it will automatically connect with the provider's CMAC system. Message updates and system control will occur without any user intervention.

*Using the DVTEL-3000 telephone Download system

Memory

High quality playback support of up to 2GB memories & hours of audio

Audio Fidelity

15kHz, Dependant on MP3 bit rate
80dB Signal to Noise ratio

Power:

12VDC, power pack included

Audio Outputs:

RCA, mono, +4db into 600 Ohm
RCA, mono, 2.5W @ 8 Ohm
Monitor speaker

Manual Controls:

Tone control, Output Level,
Speaker Enable

LED Indicators:

Memory Status, Connect, Playing

Package:

6.4" W x 4.6" D x 1.1" H
Painted steel chassis
3-position wall mount

Specifications are subject to change without notice.

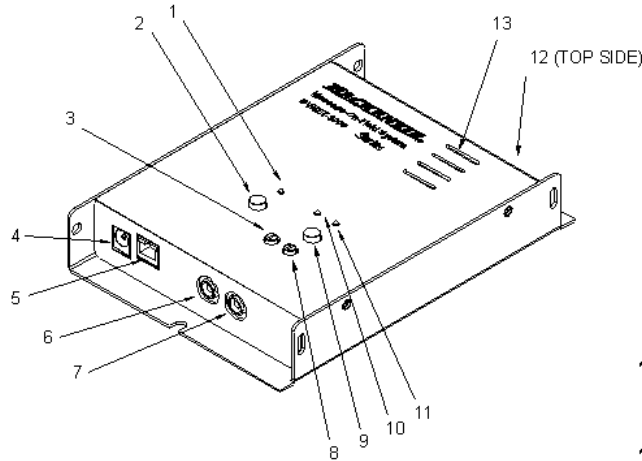
Making A Difference, One At A Time

DVNET-3000

Network Download Message-On-Hold System

Model DVNET-3000 MESSAGE-ON-HOLD SYSTEM

- 1 MEMORY OK LED (GREEN):**
LED is ON if an SD Card key with valid audio messages is detected by the system. Blinks if no files are detected.
- 2 CONNECT PUSHBUTTON:**
Used to instruct the unit to connect to Server.
- 3 TONE ADJUST KNOB:**
Adjusts the Bass & Treble amount to deliver the best overall system performance.
- 4 POWER JACK:**
Insert supplied power adapter.
- 5 ETHERNET CONNECTOR**
Attach to local area network with internet access.
- 6 LINE OUTPUT:**
Audio output level of up to +4dB into 600 Ω, this is a standard level for most applications.
- 7 SPEAKER OUTPUT:**
Audio output level of up to 2.5W into 8 Ωhm. Use this output if more drive is needed to reach a more comfortable listening level.



COPYRIGHT POLICY
Recording, downloading or playing of copyrighted material such as sound effects, narration or music is unlawful unless permitted by a legal exception or consented to by the rights owner. Recording and download equipment should only be used with material that you have the legal right to copy and you are responsible for obtaining these rights. Mackenzie Laboratories, Inc. has no right to grant such permission.

- 8 AUDIO OUTPUT LEVEL KNOB:**
Adjusts the volume to the both line level and speaker audio outputs.
- 9 SPEAKER PUSHBUTTON:**
Turns local Monitor speaker ON/OFF.
- 10 CONNECTED LED YELLOW:**
Indicates that unit is connected to the server.
- 11 PLAYING LED (GREEN):**
This green LED is ON when the system is playing Pre-Recorded messages.
- 12 SD CARD CONNECTOR:**
Audio files are played directly from an SD card
- 13 MONITOR SPEAKER:**
Allows user to preview message play back.

THE MACKENZIE DYNAVOX DVNET-3000 Quikey

06 Jun 2008, Version 1.0
Mackenzie Laboratories, Inc.
1163 Nicole Ct., Glendora, CA 91740 USA
TEL (909) 394-9007 FAX (909) 394-9411
www.macklabs.com



MACKENZIE LABORATORIES, INC.
1163 Nicole Court
Glendora, CA 91740 ■ USA

Tel: (909) 394-9007 ■ Fax: (909) 394-9411
Web: www.macklabs.com
Email: info@macklabs.com

DVNET06092008