

MACKENZIE

minimac 2

NEXT GENERATION COMPACT AUDIO MESSAGE REPEATER

Features:

- On board recording capability
- Up to 15kHz bandwidth
- Crystal clear 16 bit MP3 audio quality
- Digital Transfer via USB memory key
- Record via Line level/Microphone inputs
- Line level output
- Speaker output (4 watts, 10 watt option)
- Playing relay (Form C)
- Multi-message(4) sequencing capability
- Over 16 Hours of audio storage capacity
- Non-Volatile SD Card memory
- Compact size, just 6.5L x 4.5W x 1.25H
- Rugged enclosure



At last, a small, easy to use, high quality and affordable digital audio message repeater – Minimac2.

Anywhere or anytime, Minimac2 is a reliable way to get an audio announcement where you need it when you need it. Minimac2 allows the user to record hours of crystal clear audio. Once recorded, the unit may be triggered to playback via a contact closure from a user supplied pushbutton, motion sensor or other control device.

Small size allows Minimac2 to be put almost anywhere. Non-volatile flash memory means the Minimac2 will retain its message even during a power outage. Built-in amplifier allows the unit to drive a speaker directly in close proximity applications.

Minimac2 is also able to store up to 4 individual messages. Sequencing mode allows each trigger to it will play the next message until it reaches the last, then it will start from the beginning. Standard mode allows Minimac2 to play the same message location each time the unit is triggered.

Models: MMD-USB: 4 watt speaker output, 12VDC
MMD-USB/10W: 10 watt speaker output, 15VDC

Unique Applications:

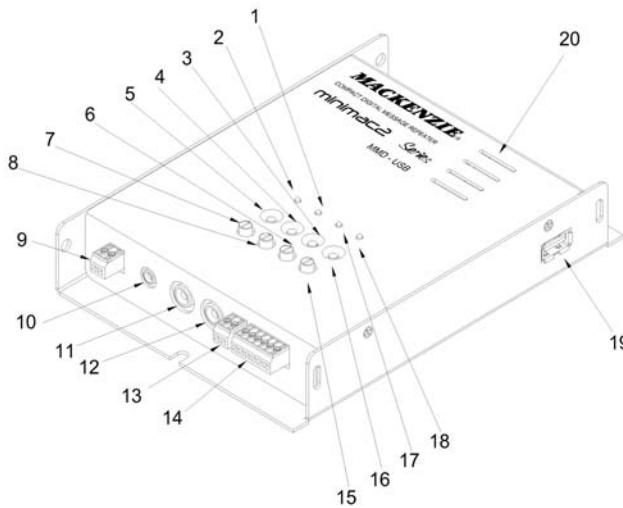
- Safety instructions for family entertainment center rides
- Add voice to a theme park characters costume under battery power
- Nature trail information under solar power
- Public area (schools, work yard, etc.) warning messages (tornado, earthquake, etc.)
- Sightseeing tour commentary

minimac is back, and better than ever

MODEL: MMD-USB
COMPACT AUDIO MESSAGE REPEATER

COPYRIGHT POLICY
Recording, downloading or playing of copyrighted material such as sound effects, narration or music is unlawful unless permitted by a legal exception or consented to by the rights owner. Recording and download equipment should only be used with material that you have the legal right to copy and you are responsible for obtaining these rights, Mackenzie Laboratories, Inc. has no right to grant such permission.

- 1 MESSAGE LED (YELLOW):**
Indicates the message number select by number blinks.
- 2 MEMORY OK LED (GREEN):**
LED is ON if either an SD Card or a USB memory key with valid audio messages is detected by the system. Blinks if no files are detected.
- 3 SELECT PUSHBUTTON:**
Allows user to select the current message position to record into, or play from.
- 4 START/STOP PUSHBUTTON:**
Starts or stops recording or playback based on current mode of system.
- 5 RECORD PUSHBUTTON:**
Activates record setup mode.
- 6 TONE ADJUST KNOB:**
Adjusts the Bass & Treble amount to deliver the best overall system performance.
- 7 LINE IN LEVEL KNOB:**
Adjusts the audio level of the line input.
- 8 MIC IN LEVEL KNOB:**
Adjusts the audio level of the microphone input.
- 9 POWER JACK (2 POS EURO):**
Insert power adapter (sold separately)
- 10 MIC INPUT (1/8" MINI JACK):**
Connect low impedance microphone for local recording.



- 11 LINE INPUT (RCA JACK):**
Connect line level audio input for local recording.
- 12 LINE OUTPUT (RCA JACK):**
Audio output level of up to +3dB into 600 Ω, this is a standard level for most applications.
- 13 SPEAKER OUTPUT (2 POS EURO):**
Audio output level of up to 2.5W into 8 Ohm. Use this output if more drive is needed to reach a more comfortable listening level.
- 14 REMOTE I/O (6 POS EURO) :**
Provides remote access to Minimac's start and stop control and play relay output.
- 15 OUTPUT LEVEL KNOB:**
Adjusts the volume to the both line level and speaker audio outputs.
- 16 SPEAKER PUSHBUTTON:**
Turns local Monitor speaker ON/OFF.
- 17 RECORD LED (RED):**
Used to display recording mode. Red light ON, indicates message (s) is being copied from USB memory key to SD Card.
- 18 PLAYING LED (GREEN):**
This green LED is ON when the system is playing Pre-Recorded messages.
- 19 USB MEMORY KEY CONNECTOR:**
Audio files can be copied directly from a USB memory key, to the system's internal memory.
- 20 MONITOR SPEAKER:**
Allows user to preview message play back.

Audio Coding:

Method: 16 bit WAV
Sample Rate: 44.1kHz

Audio Quality:

Dynamic Range: 80dB, Typical
Signal to Noise: 80dB, Typical
Frequency Resp.: 100Hz to 15kHz

Audio Input:

Line: 10k ohm, RCA
Level: +3dBm max., potentiometer adjust
Mic: 1.5k ohm, 1/8" mini jack
Level: -30dBm max., potentiometer adjust

Audio Output:

Line: 600 ohm (+3dBm max.), RCA jack
Amplified: 4 watts into 4 ohm(Standard),
10 watts into 4 ohm(Optional),
2 Pin Pluggable terminal
Level, Tone: Potentiometer adjust
Internal: For monitor purposes, fixed level

Audio Memory:

Type: SD Card
Capacity: 1GB Min, providing 16+ hr playback
Digital Transfer: USB Memory Key, High Speed

Power Requirement:

Input Voltage(STD): 12VDC, 1A (Speaker Out) or
250mA (Line Out)

Connection: 2 pin Pluggable terminal

Manual Control & Status:

Pushbuttons: Record, Start/Stop, Select, Speaker
Status Indicators: Memory OK, Message, Record,
Play LED's

Remote Control I/O:

Control Inputs: Start, Stop
Status Outputs: Playing Relay
Output Type: Dry relay contact (Form C),
1A @24VDC non-inductive load
Connection: 6 pin Pluggable terminal

Mechanical:

Package: Wall or table mount chassis
Material: 18 gauge cold rolled steel; red
paint, white silkscreen
Rack mount(option): 1U adapter

Regulatory Agency Approvals:

FCC, Part 15, Class A; UL/CSA approval on external
power pack(sold separately)

Specifications and Pricing are subject to change without notice

MACKENZIE LABORATORIES, INC.

1163 Nicole Court
Glendora, CA 91740 ■ USA

Tel: (909) 394-9007 ■ Fax: (909) 394-9411

Web: www.macklabs.com

Email: info@macklabs.com

MINIMACii 07212011