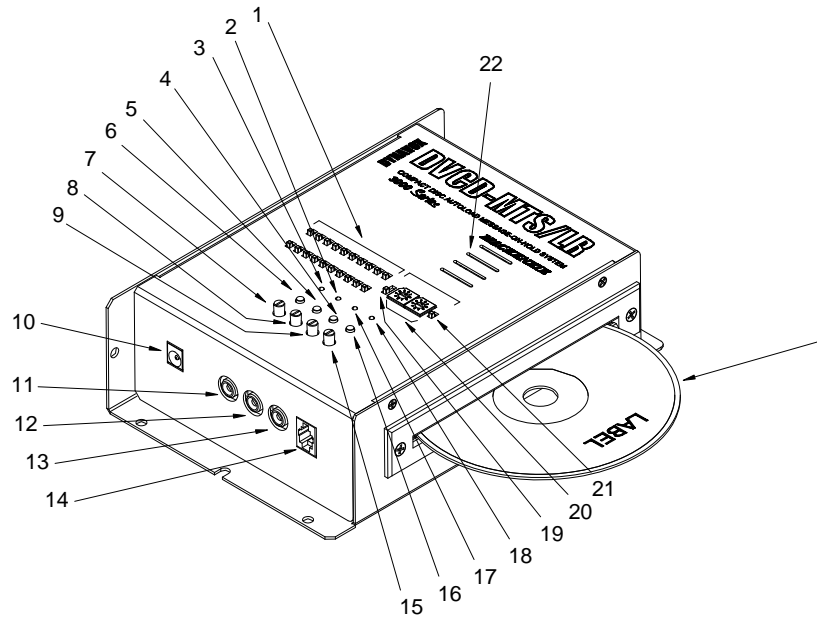


**Model DVCD-3000 MTS/LR
STORECASTER & MESSAGE-ON-HOLD
SYSTEM WITH LOCAL RECORD**



- 1 MESSAGE SELECTION 1-20:**
Enable and disable messages to be played or recorded. Off (down) On (up).
- 2 APPEND MODE LED (YELLOW):**
Indicates if system is in Standard mode (OFF) or Replace & Append mode (ON).
- 3 EJECT LED:**
Yellow light ON indicates there is no CD inserted. Yellow light OFF indicates the CD is in place.
- 4 LOCAL RECORD PUSHBUTTON:**
Press this button to initiate local record function.
- 5 APPEND PUSHBUTTON:**
Toggles the Append mode as displayed on the associated LED.
- 6 EJECT / RECORD STOP PUSH-BUTTON:**
This ejects the CD when the system is playing downloaded messages. If pressed during the recording process the recording will be stopped.
- 7 BGM LEVELS KNOB:**
Adjusts level of external music source.
- 8 FADE AMOUNT KNOB:**
Adjusts amount the BGM input is ducked when a message is played.

- 9 TONE ADJUST KNOB:**
Adjusts the Bass & Treble amount to deliver the best overall system performance.
- 10 POWER JACK:**
Insert supplied power adapter.
- 11 BGM INPUT:**
Connect to external source of music.
- 12 LINE OUTPUT:**
Audio output level of up to +3dB into 600 Ω, this is a standard level for most applications.

- 13 SPEAKER OUTPUT:**
Audio output level of up to 2.5W into 8 Ohm. Use this output if more drive is needed to reach a more comfortable listening level.
- 14 LOCAL RECORD INPUT:**
use with LR-HSET (Optional) Hand set for local recording.
- 15 AUDIO OUTPUT LEVEL KNOB:**
Adjusts the volume to both the line level and speaker audio outputs.

COPYRIGHT POLICY

Recording, downloading or playing of copyrighted material such as sound effects, narration or music is unlawful unless permitted by a legal exception or consented to by the rights owner. Recording and download equipment should only be used with material that you have the legal right to copy and you are responsible for obtaining these rights, Mackenzie Laboratories, Inc. has no right to grant such permission.

NOTE:
Insert Pre-Recorded CD as shown (CD label facing up), system will then start loading (Red LED is on) at the end of downloading the message (s), the Red LED will turn off, system will automatically start playing the enabled message (s) from digital audio memory.

- 16 SPEAKER PUSHBUTTON:**
Turns local Monitor speaker ON/OFF.
- 17 RECORD LED:**
Used to display recording mode. Red light ON, indicates message (s) is being loaded into memory from CD or from Handset.
- 18 PLAYING LED (GREEN):**
This green LED is ON when the system is playing Pre-Recorded messages.
- 19 PLAY MODE SWITCH:**
UP = music only. (Only BGM heard)
MID = music & message. (Normal operation)
DOWN = message only. (BGM muted)
- 20 MUSIC INTERVAL-Tens and Ones Rotary Switches:**
Set music interval between message plays. Set the rotary switches to the desired time between 00 and 99.
- 21 MUSIC INTERVAL-Minute/Second Switch:**
Programs rotary switch setting for minutes or seconds.
- 22 MONITOR SPEAKER:**
Allows user to preview message play back.

**THE MACKENZIE DYNAVOX
DVCD-3000 MTS/LR Quikey**

27 JUL 2009, Version 1.1
Mackenzie Laboratories, Inc.
1163 Nicole CT, Glendora, CA 91740 USA
TEL (909) 394-9007 FAX (909)394-9411
www.macklabs.com